



ELETTA SWEDISH ENGINEERING SINCE 1947

High quality design and manufacture of
flow meters and flow switches.

Our history



Eletta Flow AB was founded in 1947 with a vision to provide innovative flow measurement solutions for various industries. Since then we have been at the forefront of the industry, constantly pushing the boundaries and setting new standards.

Eletta flowmeters are well known for their extreme reliability in critical applications. Some have worked perfectly and are still in use for more than 50 years. Planned obsolescence is a non-existent concept at Eletta.

Our products



Our patented technology enables accurate and reliable measurements, giving our customers valuable data in their processes.

The products are developed with a focus on...

- Quality
- Durability
- Reliability
- Longevity

Our solutions are tailored to improve process control and increase efficiency in a variety of applications.

S-series



S-FA

S-series has a large, easy-to-read, custom dial 120 mm, which is linear to the flow. The dial is clearly visible even in a tough and dusty industrial environment. It has two adjustable microswitches that are independent of each other. They are adjustable within the measurement range and they can be set for high/high or high/low or low/low flow alarms, for example to protect equipment in refrigeration or lubricating oil systems. Is insensitive to magnetic fields.

- **Micro switch:** two adjustable SPDT micro switch, repeatability <2%. S02, S05 do not have microswitches but only show flow rate.
- **Switch rating:** max 15 A @ 480 VAC & 2 A @ 30 VDC
- **Pipe section:** brass, powder coated steel, stainless steel (other material on request, contact Elettta)
- **Pipe sizes:** DN 15 - DN 550
- **Housing:** aluminum, stainless steel
- **Resolution:** available in 1:2 and 1:5 flow measuring turndown
- **IP class:** IP43 as standard, IP65 as option
- **Temperature spec:** dependent on configuration. Contact Elettta
- **Options:** Atex certified, High temperatuer, separate mounting, parallell mounting with M – Series and more!



S-FSS



S-GL



S-GSS



S-SS-FSS



S-SS-FSS - Atex



S-SS-GSS



S-SS-GSS - Atex

V-series V1 & V15



V1 & V15 series is a very robust and reliable flow switch which is insensitive to magnetic fields. It has a micro-switch, which is adjustable within the measuring range and can be set to alarm at high or low flow, to protect equipment such as cooling water and lubricating oil circuits.

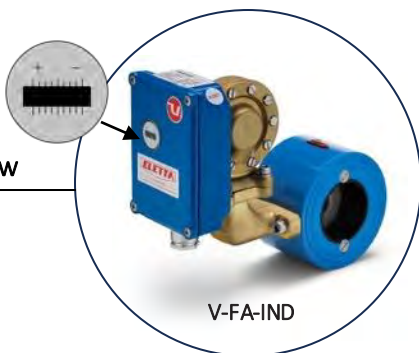
- **Micro switch:** one adjustable SPDT micro switches, repeatability <2%
- **Switch rating:** max 15 A @ 480 VAC & 2 A @ 30 VDC
- **Pipe section:** brass, powder coated steel, stainless steel (other material on request, Contact Eletta)
Pipe sizes: DN 15 - DN 550
- **Housing:** aluminum, stainless steel
- **Measuring range:** 1:2 and 1:5
- **IP class:** IP65 as standard
- **Temperature spec:** dependent on configuration. Contact Eletta
- **Options:** Atex certified, Indication display, LED display as an option
High temperature, separate mounting, parallel mounting with M - Series and more!

V-series V1 & V15

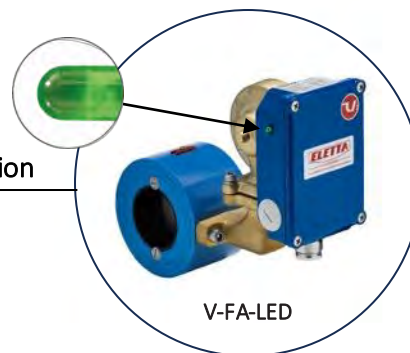
All models can be ordered with different options:



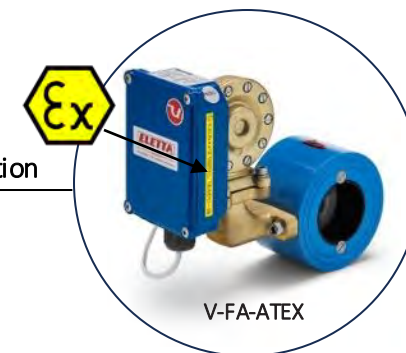
Indication window



LED indication



Atex certification



V - Exd flow switch

Suitable for hazardous area Zone 1 according to ATEX Directive 2014/34/UE.



V-SS-FSS

Ambient Temperature

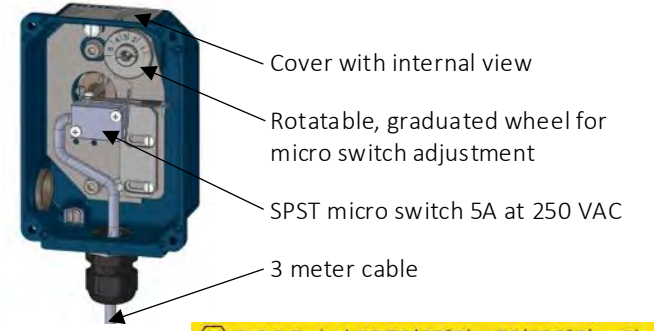
- Omg. T. < 75°C
- Omg. T. < 75°C
- Omg. T. < 75°C
- Omg. T. < 75°C

Liquid Temperature

- Liquid T. < 85°C
- Liquid T. < 100°C
- Liquid T. < 135°C
- Liquid T. < 200°C

Class Temperature

- T6
- T5
- T4
- T3



Labelling: II 2G Ex h d IIC T6(85°C)... T3(200°C) – Gb



V-SS-Gss



V-FA



V-FSS



V-GL



V-GS

V-series V2 & V25

V2 & V25 is a very robust and reliable flow monitor for harsh and dusty industrial environment. The compact design, appr. 60 % smaller than V1 and V15 series and allows installation in places with very limited space. The Monitor is insensitive to surrounding magnetic fields and it combines the long standing proven me-chanical function with outstanding reliability.



V2/V25-FA



V2/V25-FSS



V2/V25-GSS



V2/V25-GL

- **Micro switch:** two adjustable SPDT micro switches
- **Switch rating:** AC Voltage: 4 A @ 250 VAC & Rating , DC Voltage: 5 A resistive, 2,5 A inductive @ 28 Vdc
- **Pipe section:** brass, powder-coated steel, stainless steel (other material on request, contact Elettta)
- **Pipe sizes:** DN15 - DN550
- **Housing:** plastic
- **Measuring range:** 1:2 and 1:5
- **IP class:** IP43
- **Temperature spec:** dependent on configuration. Contact Elettta

D-series



D-SS-FSS

The **D series** has a backlit digital display that can be rotated electronically. It has a 4-20 mA, HART, pulse or frequency output, the accuracy is $\pm 2\%$ F.S. (full scale) and it is not affected by static pressure. It can be installed both vertically and horizontally and offers zero-settable volume summation of the flow within the measuring range. You can simulate a flow before the meter is in operation.

- **Micro switch:** two adjustable alarm points
- **Pipe section:** brass, powder coated steel, stainless steel (other material on request, contact Eletta)
- **Pipe sizes:** DN15 - DN550
- **Housing:** aluminum, stainless steel
- **Measuring range:** 1:2 and 1:5
- **IP class:** IP65
- **Temperature spec:** dependent on configuration. Contact Eletta



D-SS-GSS



D-GSS



D-GL



D-FSS



D-FA

R-series



R-SS-GSS

- **R-series** is a flow transmitter with 3 different variants we have, RH for HART, RS for Separate Electronics for areas of high magnetic interference like nuclear synchrotrons, and RC for same as RS but also having Ceramic connectors and potentiometer for nuclear radiation added to magnetic interference in the installation environment.
- **Pipe section:** brass, powder-coated steel, stainless-steel (other material on request, contact Eletta)
- **Pipe sizes:** DN15 - DN550
- **Housing:** aluminum, stainless steel
- **Turn down:** 1:2 and 1:5
- **IP class:** IP65
- **Temperature spec:** dependent on configuration. Contact Eletta



R-FA



R-GL



R-GSS



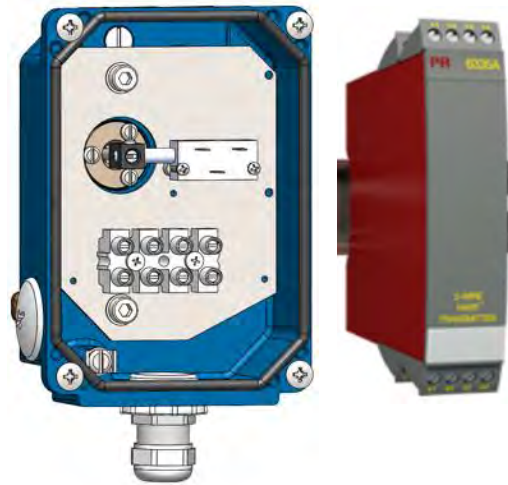
R-FSS

RH



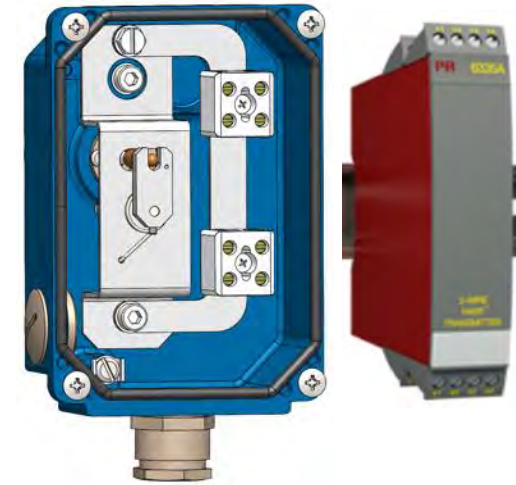
RH is fitted with a linear potentiometer, giving 4 wires resistive signal. Resistive signal is converted to 4-20 mA signal directly proportional to measured flow by 2 wires transmitter. 4-20 mA transmitter is including HART protocol communication.

RS



RS is fitted with a linear potentiometer giving 4 wires resistive signal. Resistive signal is converted to 4-20 mA signal directly proportional to measured flow by an external transmitter. This setup is allowing to use RS flow transmitter even into very high magnetic fields areas.

R5C



R5C is fitted with a ceramic potentiometer giving 4 wires resistive signal. Resistive signal is converted to 4-20 mA signal directly proportional to measured flow by an external transmitter. The ceramic potentiometer is allowing to use R5C flow transmitter even into hazardous area with presence of radioactivity.

M-series



M3-FA

The **M3 - series** has two independent piezoresistive absolute pressure sensors that give you a compact flowmeter that can be used for three different functions: Gas flow measurement, Liquid flow measurement and Differential pressure measurement. M3 can measure most occurring gases and compensates for changes in pressure and temperature (mass flow measurement). Programmable with Elettta's flowcenter. 4-20 mA och Modbus output.

- **Micro switch:** Two piezoresistive absolute pressure sensors
- **Pipe section:** brass, powder coated steel, stainless steel (other material on request, contact Elettta)
- **Pipe sizes:** DN15 - DN550
- **Housing:** plastic, stainless steel
- **Measuring range:** 1:10
- **IP class:** IP65
- **Pressure classes:** 10, 25, 50 bar
- **Temperature spec:** dependent on configuration. Contact Elettta
- **Optional:** loop-powered OLED 128*32 pixels.



M3-G..BR



M3-G..SS



M3-GL



M3-FSS



M3-SS-FSS



M3-SS-GSS

Eletta Steam

ELETTA STEAM - is our integrated solution for reliable mass flow measurement of saturated steam.

Our flow meter gives you:

Simplicity: ELETTA STEAM is delivered complete, set-up at the factory, and ready to easily install.

Accuracy: Mass flow measurement of saturated steam to ensure your process is always operating optimally.

Reliability: Proven DP technology with no moving parts to minimize the risk of failure & production stoppages.

Performance: Accurate measurement of steam flow, can significantly reduce energy consumption.



Control Unit Assembly

- Mounting Plate
- Condensate Pots
- Control Unit
- 6 mm Stainless Tubing



User Interface

- Touch screen Display
- Trends and Graphs
- Remote access via Smart Phone
- Available in 5 sizes
- email function
- Analogue 4-20mA output
- Modbus output



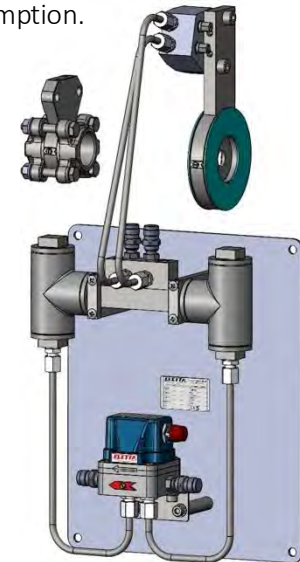
M-Series Control Unit

- **Housing:** plastic or stainless steel
- **Measuring range:** 10:1 turndown
- **IP class:** IP67
- **Pressure classes:** 10, 25, 50 bar
- **Communication:** 4 - 20 mA, Modbus output
Integrated Temperature sensor



Primary Flow Element

- Flanged (FSS) - ½" – 20"
- Threaded (GSS) - ½" – 1"
- Stainless Steel



Addition



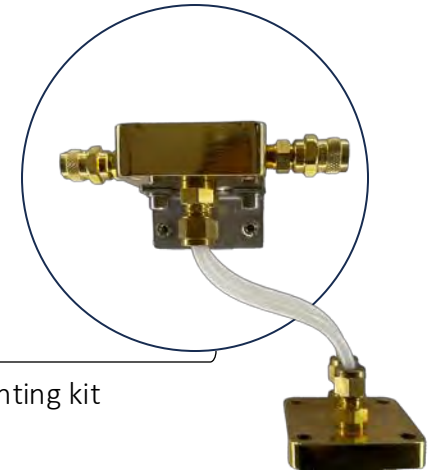
Unique flexibility and a wide range of additional accessories!
for more information contact Elettta



Parallell mounting plate



Separate mounting kit



SP-G

Our flow switch **SP-G** is designed to fit small flow and line sizes. It works on the principle of variable flow area where the alarm switch point can be set at a very low flow and still the switch is capable of handling large flows without creating a large pressure drop. You can install it horizontal or vertically. Another feature is that the outlet can be rotated 90° or 180° with respect to the inlet. This gives you good alternatives in places where space is very limited.



- **Micro switch:** mechanical SPDT
- **Switch rating:** max 10 A @ 250 VAC
- **Pipe section:** brass, stainless steel
- **Pipe sizes:** DN15 - DN20
- **Housing:** aluminum, plastic
- **Flow range:** 0 – 3,5 m/s. Max flow limited by pump capacity and acceptable pressure drop
- **Min-max switch point:** 1,5 l/min – 30 l/min
- **IP class:** IP43
- **Pressure classes:** PN 25
- **Temperature spec:** dependent on configuration. Contact Eletta
- **Options:** Atex certified

SP-GA



SP-GA Flow Switch is designed to give an initial alarm at a very low flow and still be capable of allowing a high full liquid flow passing through when pumps or valves are activated by the micro switch. The function is based on fluid flow activation only and therefore it is not affected by changes in static pressure. You have the possibility to chose a set point from 3 l/min up to 70 l/min. The set point is calibrated from factory and can be adjusted in field. Maximum flow is approximately 300 l/min.

- **Micro switch:** mechanical SPDT
- **Switch rating:** max 10 A @ 250 VAC
- **Pipe section:** brass
- **Pipe sizes:** DN25 - DN40
- **Housing:** aluminum
- **Flow range:** 0-300 l/min
- **Min-max switch point:** 3 l/min – 70 l/min
- **IP class:** IP43
- **Pressure classes:** PN25
- **Temperature spec:** dependent on configuration. Contact Eletta

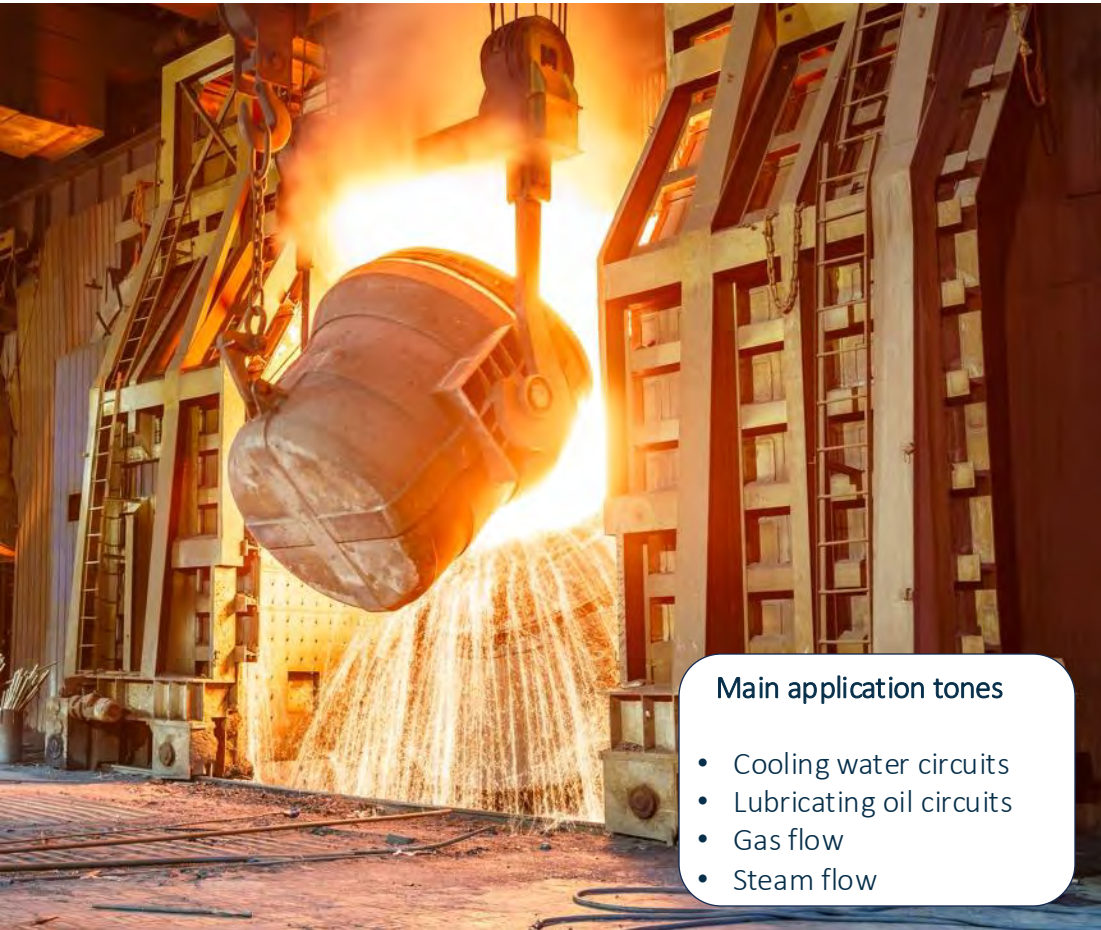
PR1



The Eletta PR1 Paddle Switch is using the liquid flow to activate the spring supported paddle and the micro-switch to give an alarm if the flow stops or starts. The installation is simple as you can cut the paddle to the desired length on site according to the actual pipe size. The paddle aligns fully with the flow and creates a very small pressure drop. The function works only in one flow direction.

- **Micro switch:** mechanical SPDT
- **Switch rating:** 250 VAC 16 A
- **Pipe section:** brass, stainless steel
- **Pipe sizes:** DN50 – 250
- **Process connection:** 25 mm thread (1" BSP or NPT) (through pipe wall)
- **IP class:** IP 65
- **Pressure classes:** PN 25 bar
- **Temperature spec:** dependent on configuration. Contact Eletta
- **Length:** 200 mm - can be cut to the desired length

Industrial segment & customers



Main application tones

- Cooling water circuits
- Lubricating oil circuits
- Gas flow
- Steam flow

Industrial segment

- Pulp and Paper
- Nuclear energy
- Particle accelerator
- Foundries
- Steel industry
- Cement industry
- Medical equipment
- Chemical industry
- Mining industry
- Thermal power plants
- Hydroelectric power plants
- Car industry

Customers



SSAB



BILLERUD



**EUROPEAN
SPALLATION
SOURCE**

ABB

SANDVIK

Distributors

- **Austria** - Eletta Messtechnik GmbH
- **Australia** - Control Components
- **Brazil** - Applitech
- **Czech Rep** - Level Instruments
- **Egypt** - HAK Automation
- **Finland** - Kontram
- **Hungary** - Hennlich Ipartechnika
- **Italy** - Trafag Italia
- **Japan** - Gadelius K.K.
- **Malaysia** - Haven Automation, Tritan
- **Norway** - Sigum Fagerberg
- **Poland** - Brammer, Bth Numa
- **Spain** - Lana Sarrate
- **South Africa** - DLM
- **South Korea** - Daelim

- **Switzerland** - Eletta Switzerland, Wisag
- **Thailand** - U-Thong Co.,Ltd.
- **Turkey** - S-Meter
- **UAE** - Peeraj Group
- **UK** - MJ Wilson Group
- **Vietnam** - MOG Engineering JSC

Subsidiaries

- **Belgium** - Eletta Instrumentation SAS
- **China** - Eletta (Beijing) Co. Ltd.
- **France** - Eletta Instrumentation SAS
- **Germany** - Eletta Messtechnik GmbH
- **India** - Eletta Instrumentation India
- **Indonesia** - Eletta Flow AB's Resident Regional
- **Sweden** - Eletta Direct Sale
- **USA** - Eletta Flow, Inc.



Thanks for your interest

